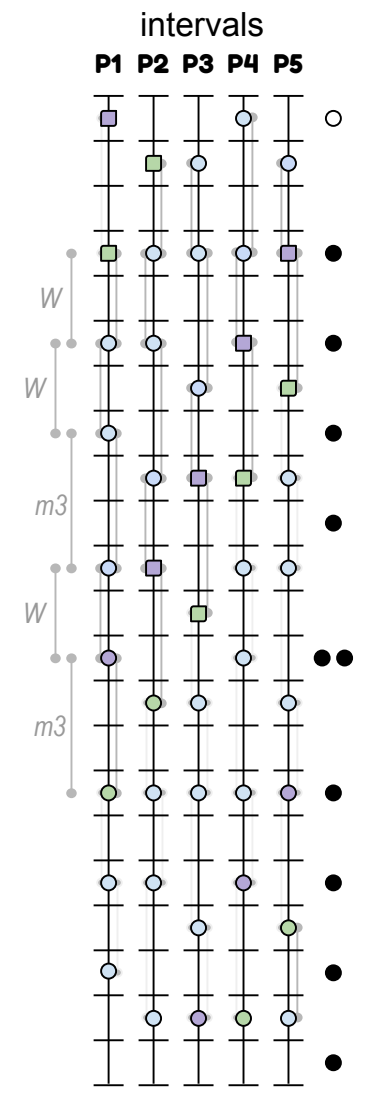


0	1	2	3	4	5	6	7	8	9	10	11	12	13	14	15	16	17	18
E	F		G		A		B	C		D		E	F		G		A	
B	C		D		E	F		G		A		B	C		D		E	F
G		A		B	C		D		E	F		G		A		B	C	
D		E	F		G		A		B	C		D		E	F		G	
A		B	C		D		E	F		G		A		B	C		D	
E	F		G		A		B	C		D		E	F		G		A	



Major Pentatonic Scale Patterns

R ● Major Root
 r ● Minor Root

